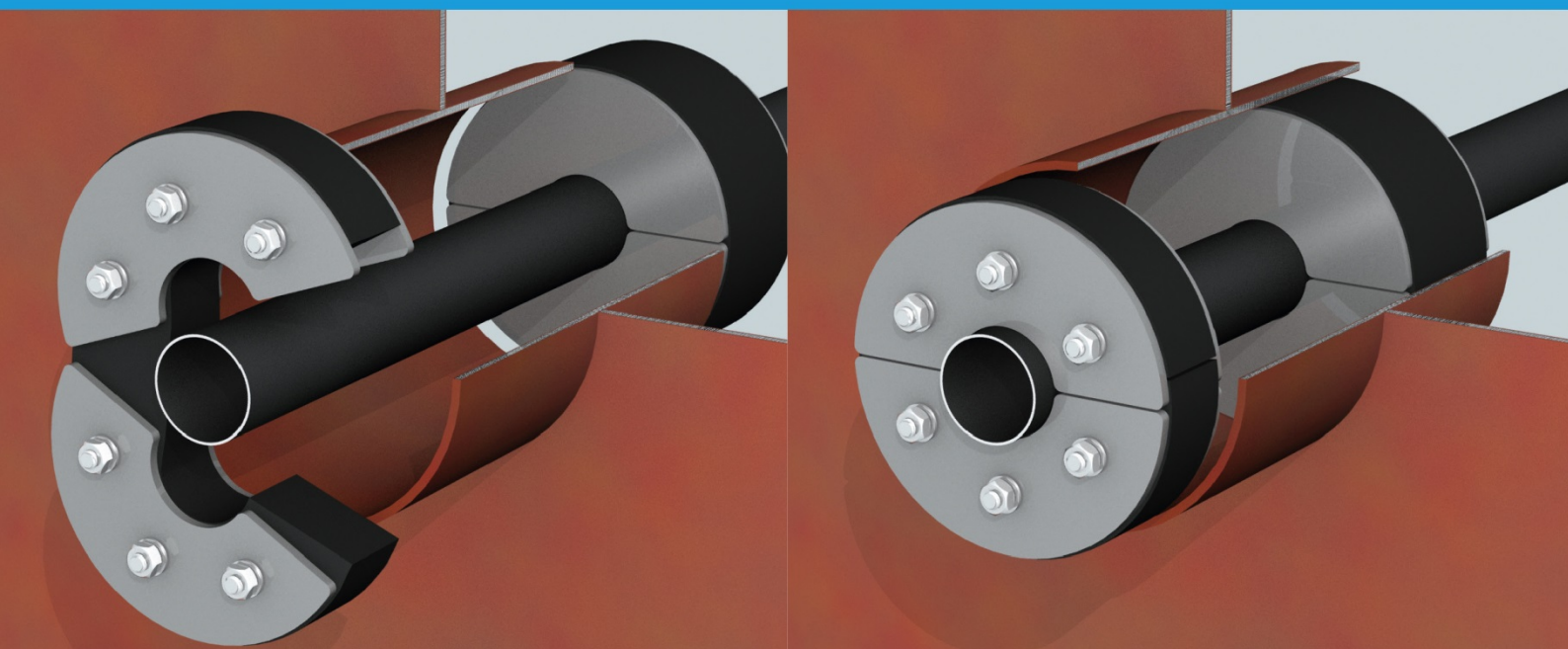


H.P.S. FIRE SEAL

The ultimate fire resistant sealing
system for pipe penetrations

IMO A754(18) A0-A60

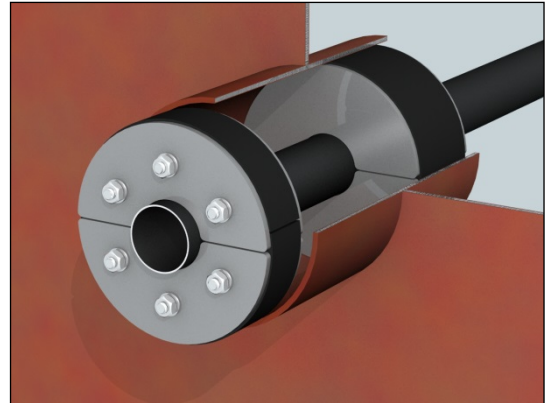
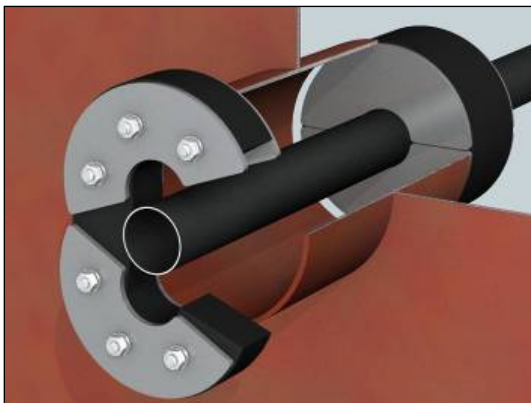


INDUSTRIAL . BUILDING . MARINE . OFFSHORE

IBMO[®]

► Fire Seals

- Functionality for pipe penetrations
- Available in all shapes and diameters.
- All metals are made of stainless steel
- Suitable for shipbuilding and offshore industry

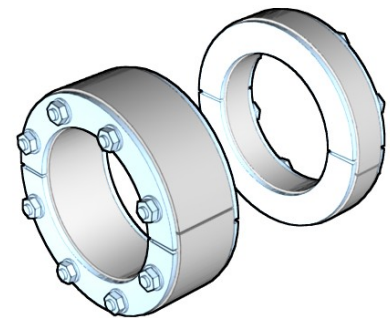


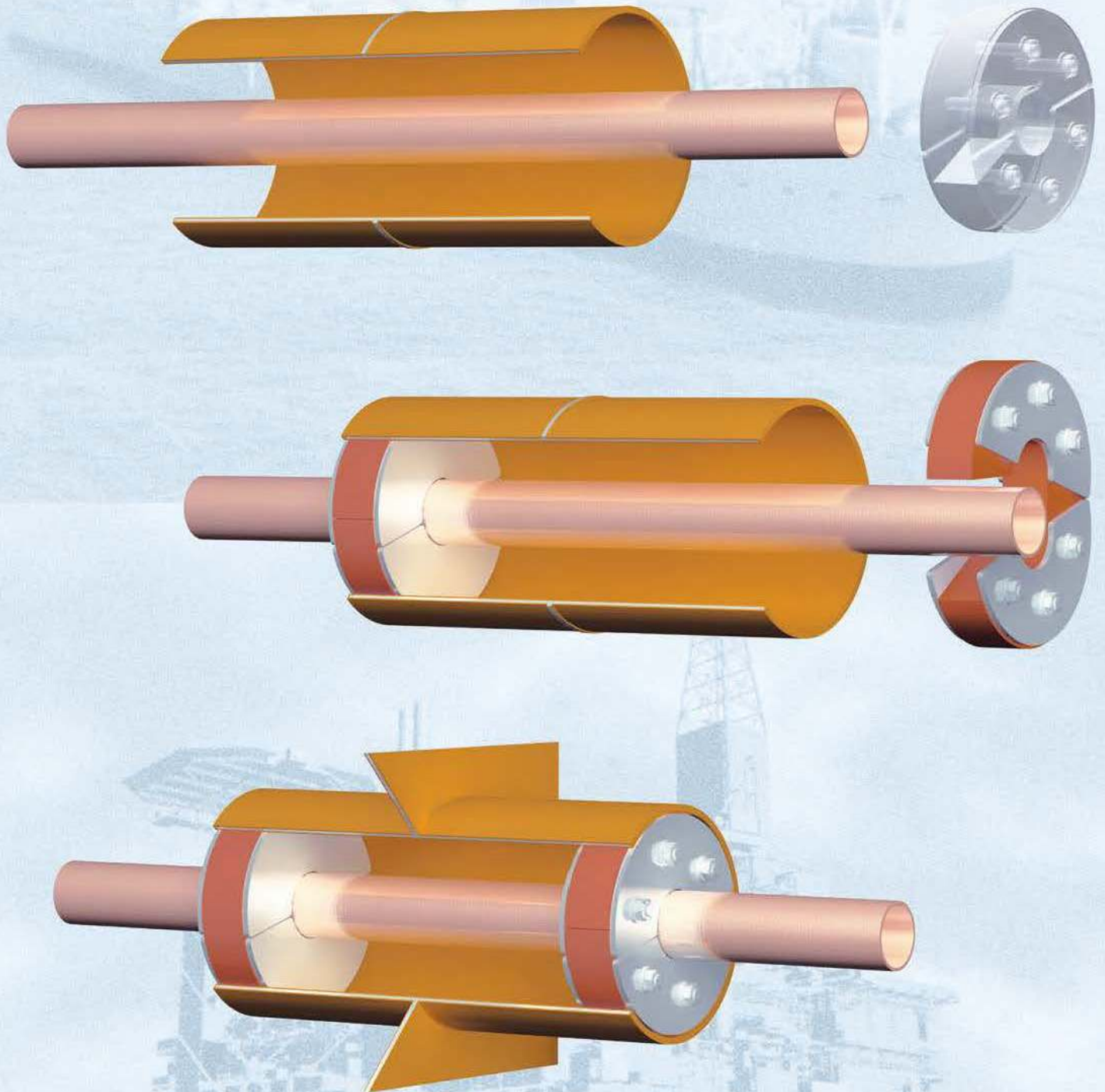
► Installation:

- When the fire seal is installed at the same time as the pipes, a closed version can be used.
- If the pipes are already installed, a parted version is required.

► Advantages:

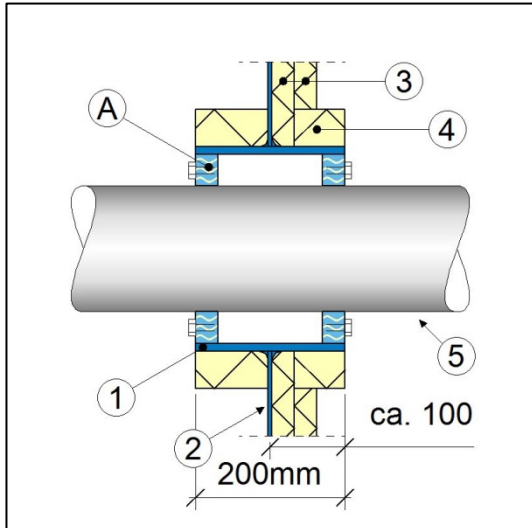
- For pipe's or tubes in various measurements.
- Possible to install after pipes are installed.
- Gastight **4 bar** and watertight up to **6 bar** and **2.5 bar** blast-pressure.
- Sound-, isolating and shockproof.
- A bigger effectiveness by shorter assemblytime.





**CLASSIFIED for
FIRE-RATED WATER-GAS TIGHT
BULKHEADS and DECKS**

Bulkhead Penetration



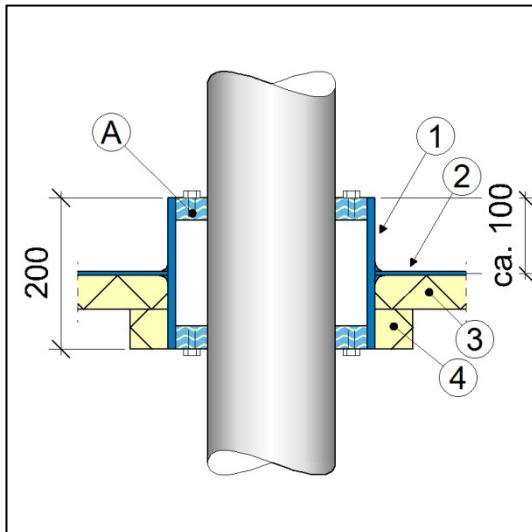
FIRE SEAL

Approved pipe penetration sealing system for deck and bulkhead penetrations.

Type of use

Fire resistant sealing system suitable for pipe penetrations.

Deck Penetration



Properties

- Available in every size required
- Very easy and quick to install
- No special tools required
- Tested according to IMO A754(18)
- A0 – A60, H0, H60, H120 & J120 Rated.
- 2.5 bar blast pressure
- Water tightness 6 bar

Legend:

- A. Fire Seal
- 1. Steel coaming
- 2. Steel Plate
- 3. Deck: 50mm insulation
Bulkhead: 2 x 30mm insulation
- 4. Insulation
- 5. Steel Pipe

