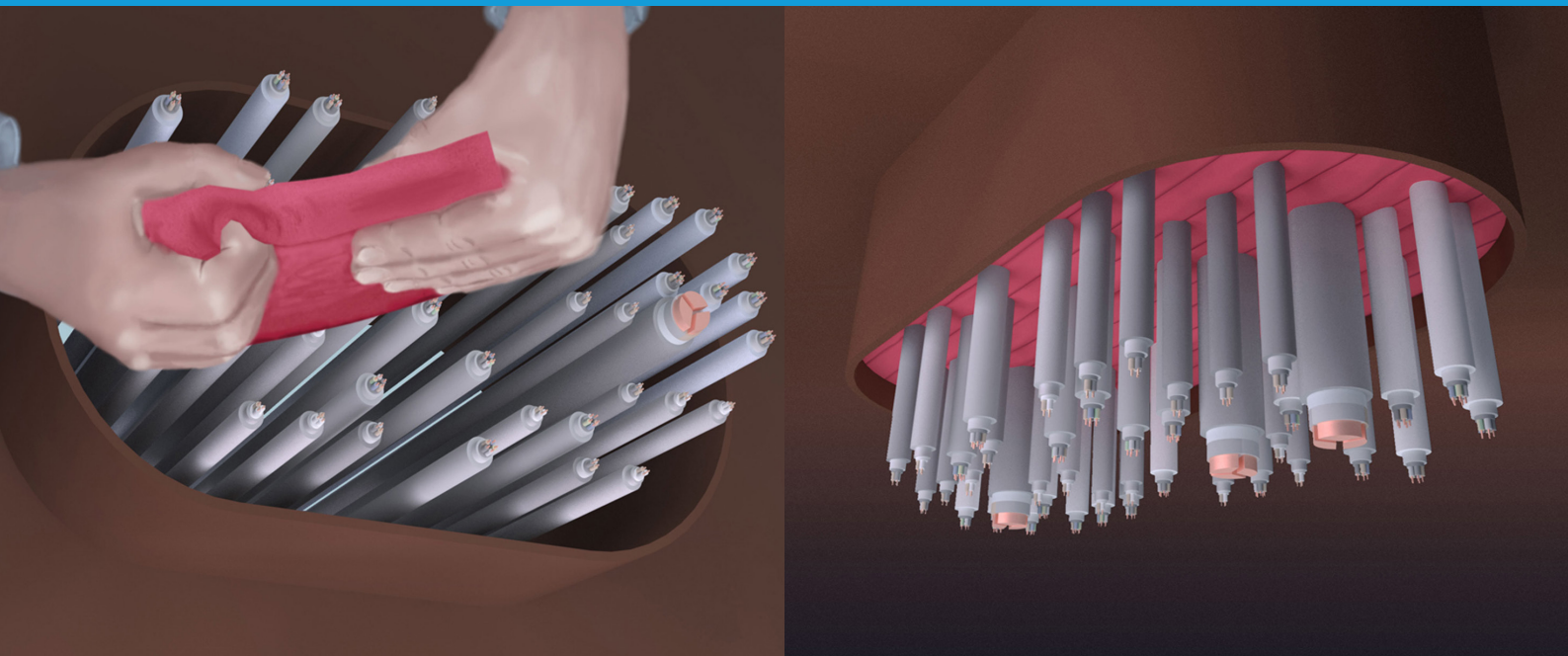


# E.I.S. EASY INSTALLATION SYSTEM

The flexible and fast solution for safe sealing of deck- and bulkhead penetrations

IMO A754(18) A0-A60



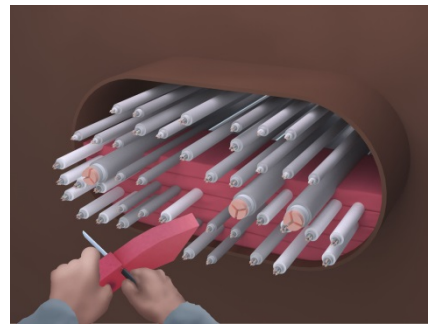
INDUSTRIAL . BUILDING . MARINE . OFFSHORE

**IBMO**<sup>®</sup>



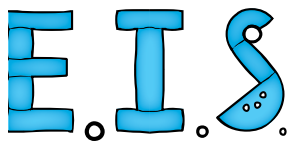
# E.I.S. Easy Installation System

The EIS sponge slabs are specially developed for single and multiple cable penetrations. All components are halogen free, and applicable in deck- or bulkhead situations.



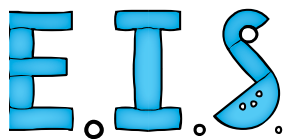
When exposed to fire, the foam expands to 100 % of his original volume, cracks and openings automatically will be sealed and eliminate further spread of smoke and fire.

EIS safe foam plates are very easy to handle, no special engineering is needed, quick to install, easy to maintain and gives the installer simple access to add or remove cables in a later stage without damaging the conduit opening.



## Advantages:

- Easy and simple installation
- No special tools required
- Maintenance can be easily done
- Tested according to IMO A754(18)
- Fire Rating A0, A15, A30 & A60
- No sealant required above the waterline
- Water tightness 1,5 bar and gas tight 1 bar

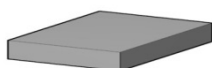


### Dimensions Sponge Slabs:



| Art. no | Dimensions  |
|---------|-------------|
| FC 12   | 1000x150x25 |

### Dimensions Sponge Stones



| Art. no. | Size in mm |
|----------|------------|
| NL 01    | 220x150x50 |

### Dimensions Ø Sponge Stops:

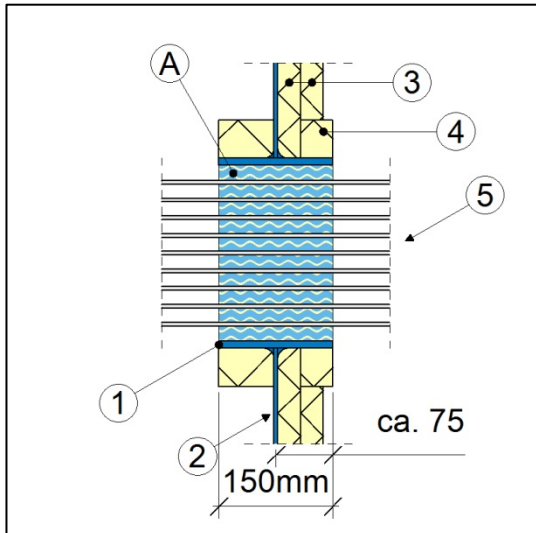


| Art. no. | Opening Ø mm | Diameter tolerance D1/D2 mm | Height in mm |
|----------|--------------|-----------------------------|--------------|
| FS 01    | 50           | 55/70                       | 70           |
| FS 02    | 80           | 85/100                      | 70           |
| FS 03    | 100          | 105/120                     | 70           |
| FS 04    | 125          | 130/145                     | 70           |
| FS 05    | 150          | 155/170                     | 70           |
| FS 06    | 200          | 205/220                     | 70           |

### Specification:

|                                      |  |
|--------------------------------------|--|
| <b>Material</b>                      | <b>IBMO flexible pre carbon – foam</b> |
| Color                                | Red                                    |
| Density                              | 240± 10kg.m <sup>3</sup>               |
| Expanding properties in case of fire | More than 100%                         |
| Fire test                            | Tested IMO A754 (18) A0, A15, A30, A60 |

## Bulkhead Penetration



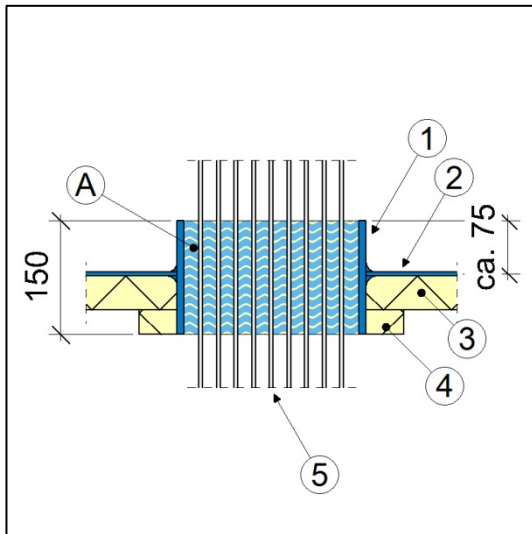
## EIS SYSTEM

Approved flexible and fast Firestop of expandable foam material

### Type of use

Flexible and fast solution for safe sealing of deck- and bulkhead cable penetrations.

## Deck Penetration

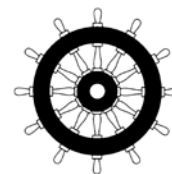


### Properties

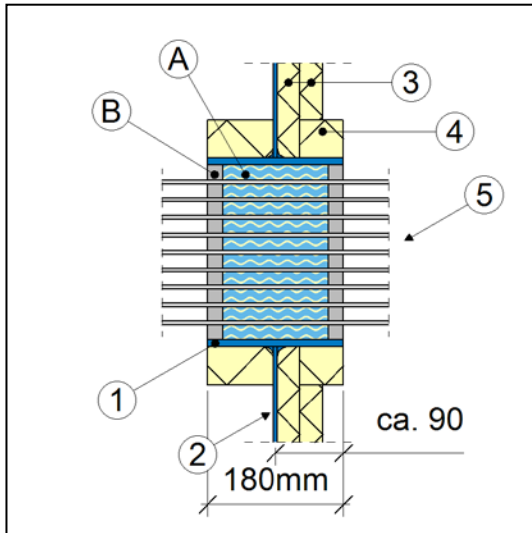
- Easy installation
- No special tools required
- Maintenance can be easily done
- Tested according to IMO A754(18)
- A0 – A60 rated
- No sealant required above the waterline
- Filling rate 40%

### Legend

- A. Flexible sponge material 150mm
- 1. Steel Coaming 150 long
- 2. Steel Plate
- 3. Deck: 50mm insulation  
Bulkhead: 2 x 30mm insulation
- 4. Insulation
- 5. Cables



## Bulkhead Penetration



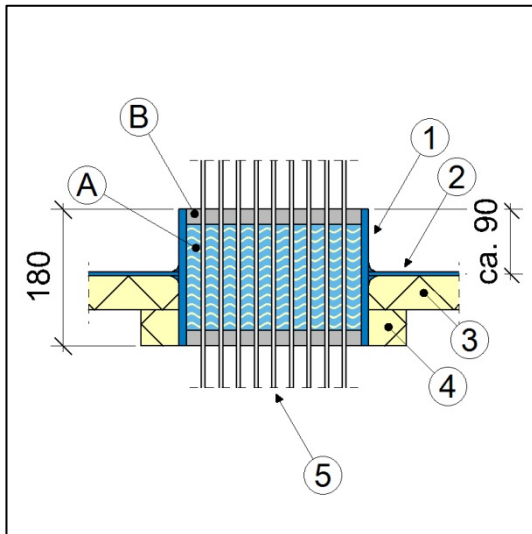
## EIS SYSTEM

Approved flexible and fast Firestop of expandable foam material

### Type of use

Flexible and fast solution for safe sealing of deck- and bulkhead cable penetrations.

## Deck Penetration



### Properties

- Easy installation
- No special tools required
- Maintenance can be easily done
- Tested according to IMO A754(18)
- A0 – A60 rated
- No sealant required above the waterline
- Filling rate 40%
- Water tightness 1,5 bar

### Legend

- A. Flexible sponge material 150mm
- B. Pyro Putty 15mm
- 1. Steel Coaming 180 long
- 2. Steel Plate
- 3. Deck: 50mm insulation  
Bulkhead: 2 x 30mm insulation
- 4. Insulation
- 5. Cables

