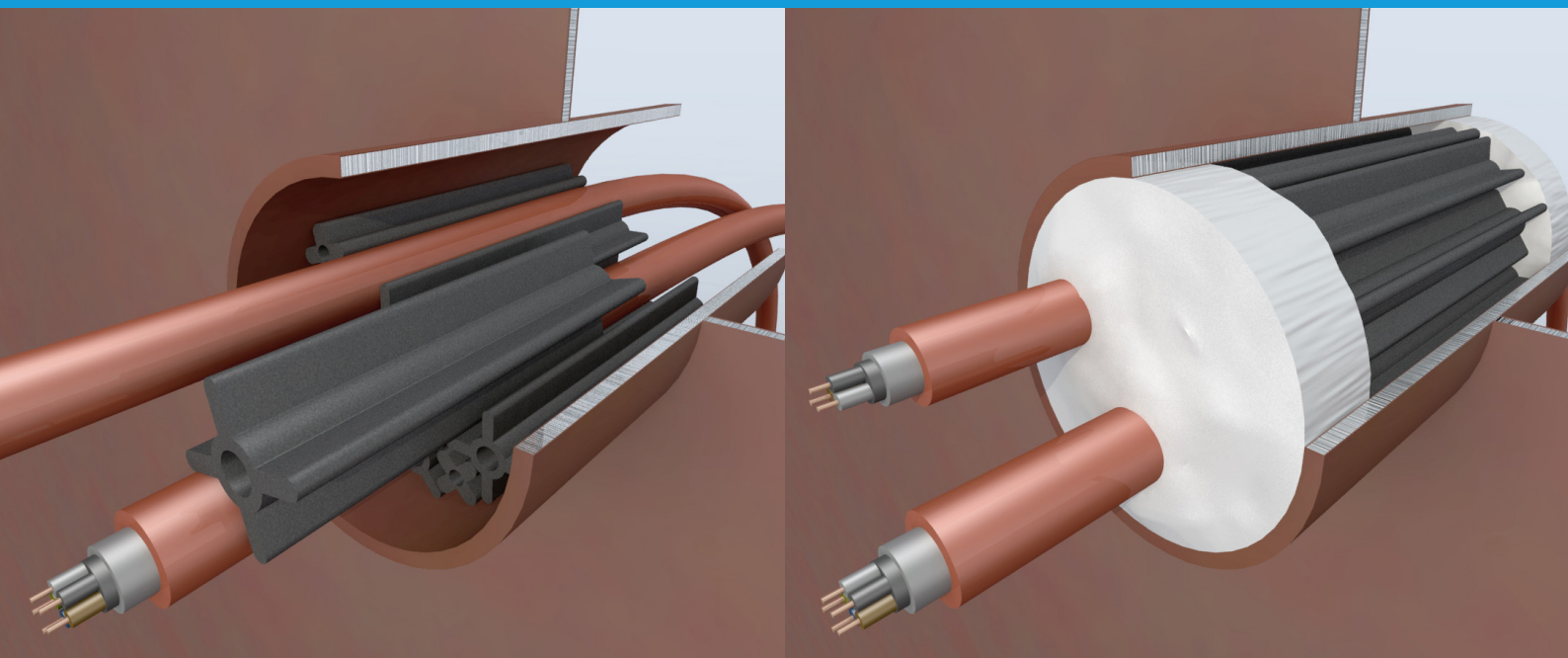


# M.P.S. MULTIPLE PROFILE SYSTEM

The MPS-system, is the ideal fire resistant sealing system for cable and pipe penetrations

IMO A754(18) A0-A60

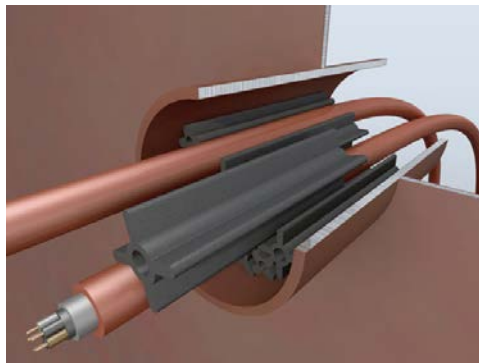


INDUSTRIAL . BUILDING . MARINE . OFFSHORE

**IBMO**<sup>®</sup>

## MPS Multiple Profile System

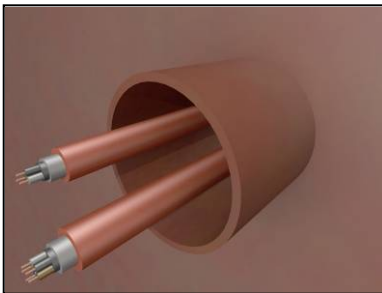
The MPS system is the ideal fire resistant sealing system for deck and bulkhead cable and pipe penetrations. One of the main advantages of the system is that only one type of profile is required no matter the size of the pipe or cable. This will save precious time.



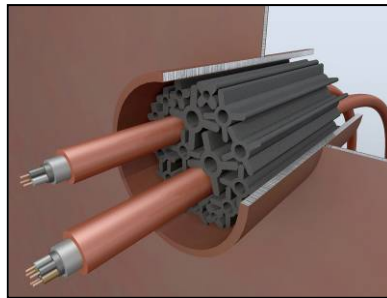
- Profiles can be used for sealing of pipe penetrations
- Profiles can be used for sealing of cable penetrations
- Tested according to IMO A754 (18) A-0 - A-60 rating
- No special tools required for installation
- Easy to insert or remove additional cables
- Gastight to 1.5 bar

When exposed to fire, the intumescent character of the profiles will expand to close the gap and eliminate further spread of smoke and fire.

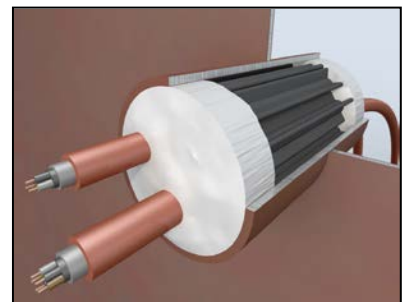
## MPS Deck and Bulkhead Sealing System



Cable pipe ready to be filled up with profiles

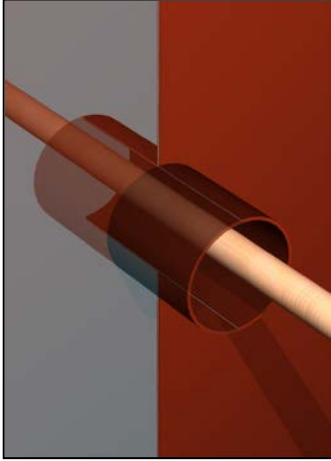


Pipe filled up with profiles

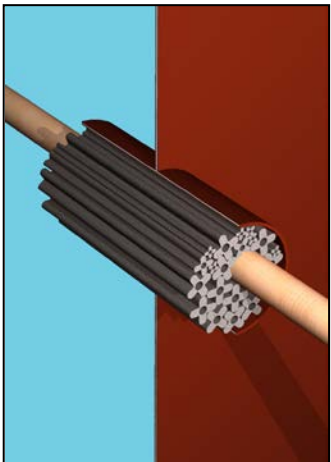


Both end of the pipes filled up with Pyro Putty sealant.

## Installation

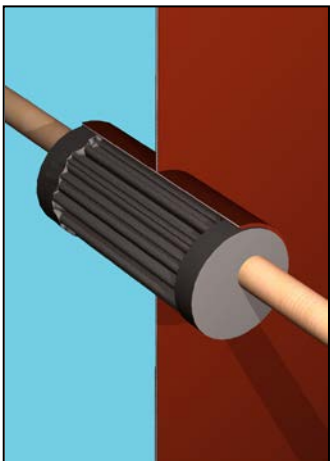


Pipe or cables can be installed through the welded in pipe sleeve.



Fill the penetration with IBMO profiles.

The length of the profiles depends on the length of the welded in pipe sleeve minus 40mm. Leave 20mm space on each side of the coming.

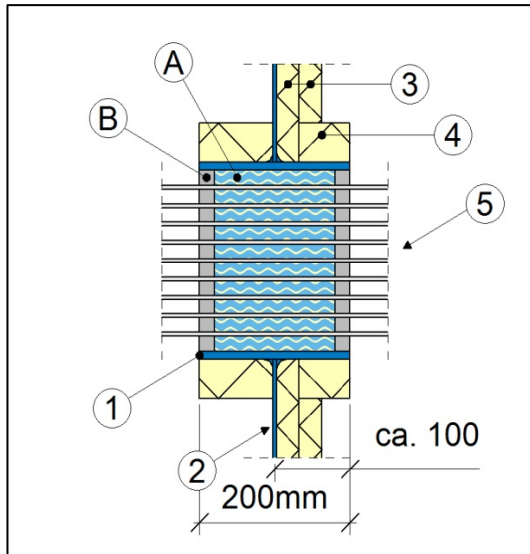


Fill up the space on both sides of the penetration with Pyro Putty sealant and a fire- and watertight penetration is created.

**MATERIAL SAFETY DATA SHEET****IBMO HF PROFILES**

Material name	: Multiple Profile System
Material color	: Grey to Black
Product processing	: Extrusion contains no Formaldehyde
Product type	: Star/Clover Profile in various lengths
Composition	: Halogen Free Rubber Compound
Special additives	: 10 – 15% by weight
Color Material	: 20 – 25% by weight
Ozone properties	: Good to Excellent
Flame retardant/Fire Resistance	: Good
Toxicity	: Non Toxic
Stability Stable	: When stored at 40 deg C. Safe in normal conditions
Hazard identifications	: Non Hazardous, no special warning required
First aid measure	: Special measures not required
Transport	: Special arrangements not required
DOT-IMO	: Special identification or documents not required
Handling	: Additional safety not required
<b>Shelf Life:</b>	: Not Applicable

**Bulkhead penetration**



**MPS SYSTEM**

Approved sealing system for cable and pipe penetrations.

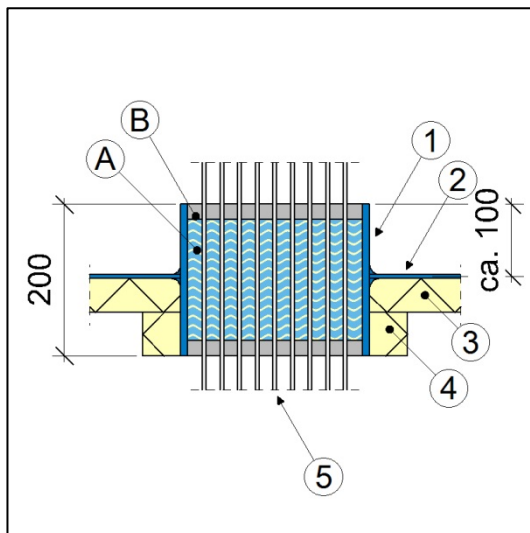
**Type of use**

Fire resistant sealing system for deck and bulkhead cable and pipe penetrations.

**Properties**

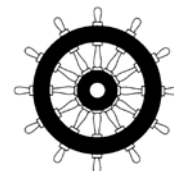
- Maintenance can be easily done
- No special tools required
- Only one type of profile for all cable sizes
- Tested according to IMO A754(18)
- A0 – A60 rated
- Filling rate 40%
- Water tightness 3,5 bar

**Deck penetration**

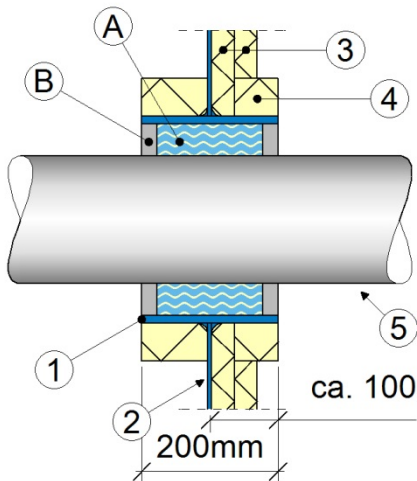


**Legend:**

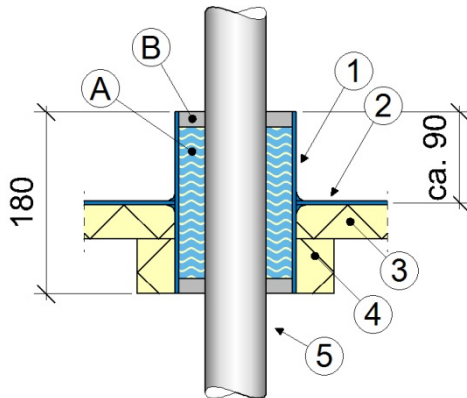
- A. Profiles
- B. Pyro Putty 20 thk
- 1. Steel coaming 200 long
- 2. Steel plate
- 3. Deck: 50mm insulation  
Bulkhead: 2 x 30mm insulation
- 4. Insulation
- 5. Cables



**Bulkhead penetration**



**Deck penetration**



**MPS SYSTEM**

Approved sealing system for cable and pipe penetrations.

**Type of use**

Fire resistant sealing system for deck and bulkhead cable and pipe penetrations.

**Properties**

- Maintenance can be easily done
- No special tools required
- Only one type of profile for all cable sizes
- Tested according to IMO A754(18)
- A0 – A60 rated
- Filling rate 40%
- Water tightness 3,5 bar

**Legend:**

- A. Profiles
- B. Pyro Putty 20 thk
- 1. Steel coaming 200 long
- 2. Steel plate
- 3. Deck: 50mm insulation  
Bulkhead: 2 x 30mm insulation
- 4. Insulation
- 5. Cables

