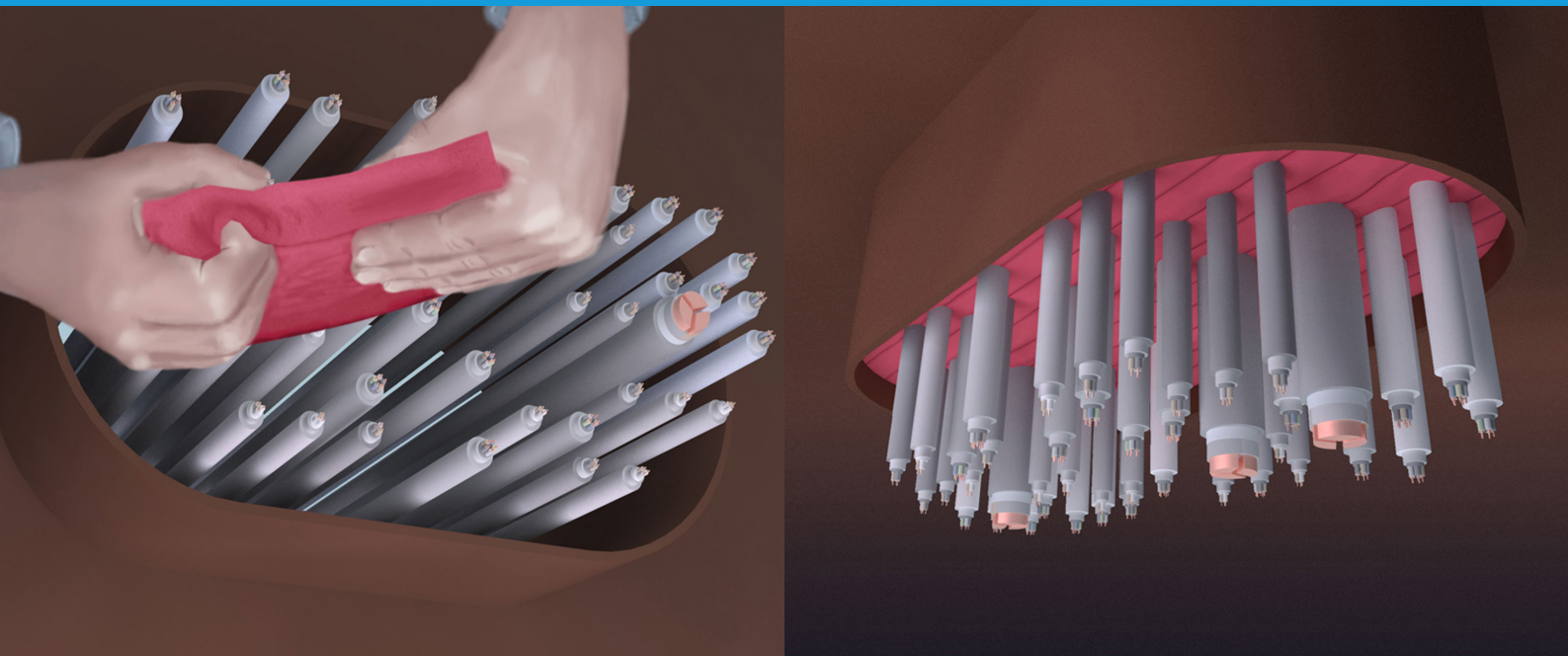


E.I.S. EASY INSTALLATION SYSTEM

The flexible and fast solution for safe sealing
of deck- and bulkhead penetrations

IMO A754(18) A0-A60



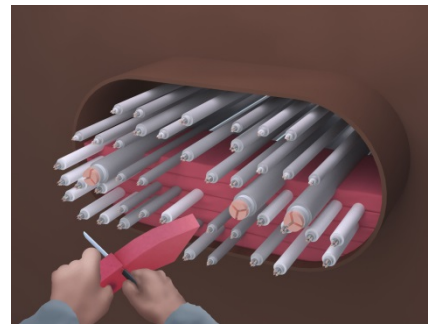
INDUSTRIAL . BUILDING . MARINE . OFFSHORE

IBMO[®]



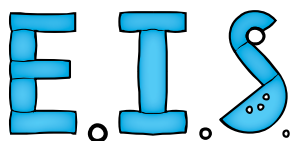
E.I.S. Easy Installation System

The EIS sponge slabs are specially developed for single and multiple cable penetrations. All components are halogen free, and applicable in deck- or bulkhead situations.



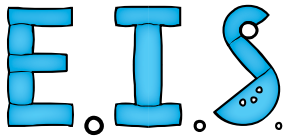
When exposed to fire, the foam expands to 100 % of his original volume, cracks and openings automatically will be sealed and eliminate further spread of smoke and fire.

EIS safe foam plates are very easy to handle, no special engineering is needed, quick to install, easy to maintain and gives the installer simple access to add or remove cables in a later stage without damaging the conduit opening.



Advantages:

- Easy and simple installation
- No special tools required
- Maintenance can be easily done
- Tested according to IMO A754(18)
- Fire Rating A0, A15, A30 & A60
- No sealant required above the waterline
- Water tightness 1,5 bar

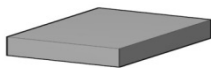


Dimensions Sponge Slabs:



Art. no	Dimensions
FC 12	1000x150x25

Dimensions Sponge Stones



Art. no.	Size in mm
NL 01	220x150x50

Dimensions Ø Sponge Stops:

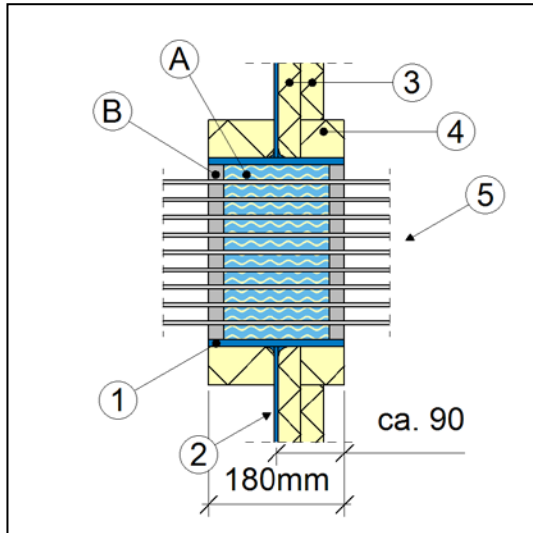


Art. no.	Opening Ø mm	Diameter tolerance D1/D2 mm	Height in mm
FS 01	50	55/70	70
FS 02	80	85/100	70
FS 03	100	105/120	70
FS 04	125	130/145	70
FS 05	150	155/170	70
FS 06	200	205/220	70

Specification:

Material	IBMO flexible pre carbon – foam
Color	Red
Density	240± 10kg.m ³
Expanding properties in case of fire	More than 100%
Fire test	Tested IMO A754 (18) A0, A15, A30, A60

Bulkhead Penetration



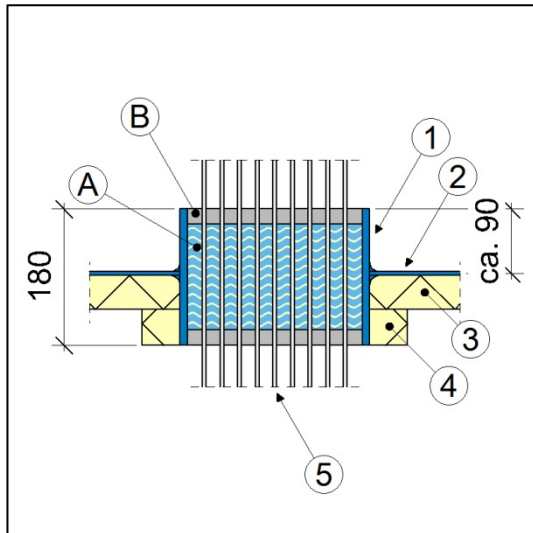
EIS SYSTEM

Approved flexible and fast Firestop of expandable foam material

Type of use

Flexible and fast solution for safe sealing of deck- and bulkhead cable penetrations.

Deck Penetration

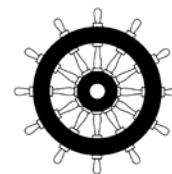


Properties

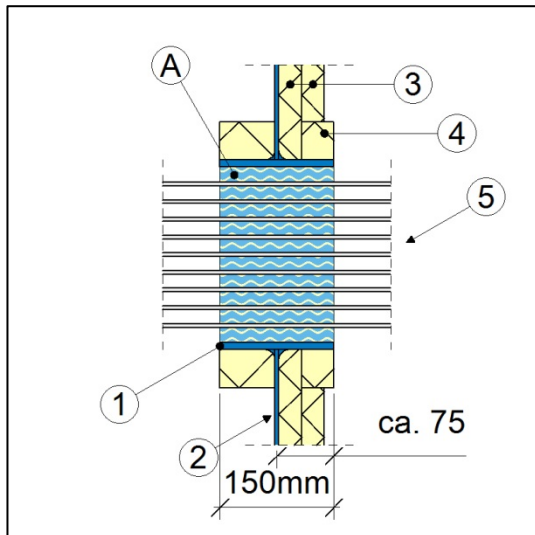
- Easy installation
- No special tools required
- Maintenance can be easily done
- Tested according to IMO A754(18)
- A0 – A60 rated
- No sealant required above the waterline
- Filling rate 40%
- Water tightness 1,5 bar

Legend

- A. Flexible sponge material 150mm
- B. Pyro Putty 15mm
- 1. Steel Coaming 180 long
- 2. Steel Plate
- 3. Deck: 50mm insulation
Bulkhead: 2 x 30mm insulation
- 4. Insulation
- 5. Cables



Bulkhead Penetration



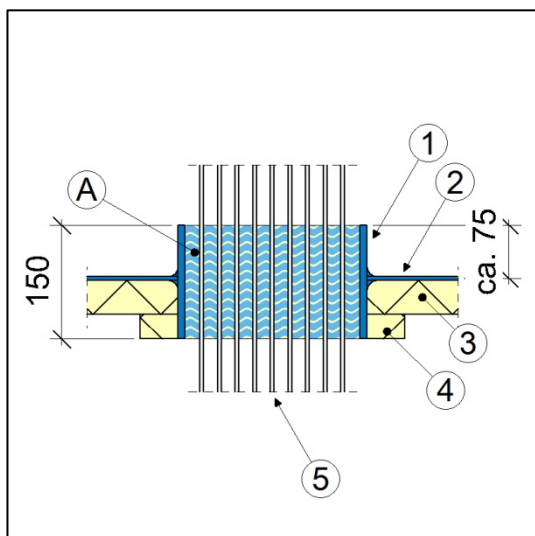
EIS SYSTEM

Approved flexible and fast Firestop of expandable foam material

Type of use

Flexible and fast solution for safe sealing of deck- and bulkhead cable penetrations.

Deck Penetration



Properties

- Easy installation
- No special tools required
- Maintenance can be easily done
- Tested according to IMO A754(18)
- A0 – A60 rated
- No sealant required above the waterline
- Filling rate 40%

Legend

- A. Flexible sponge material 150mm
- 1. Steel Coaming 150 long
- 2. Steel Plate
- 3. Deck: 50mm insulation
Bulkhead: 2 x 30mm insulation
- 4. Insulation
- 5. Cables

