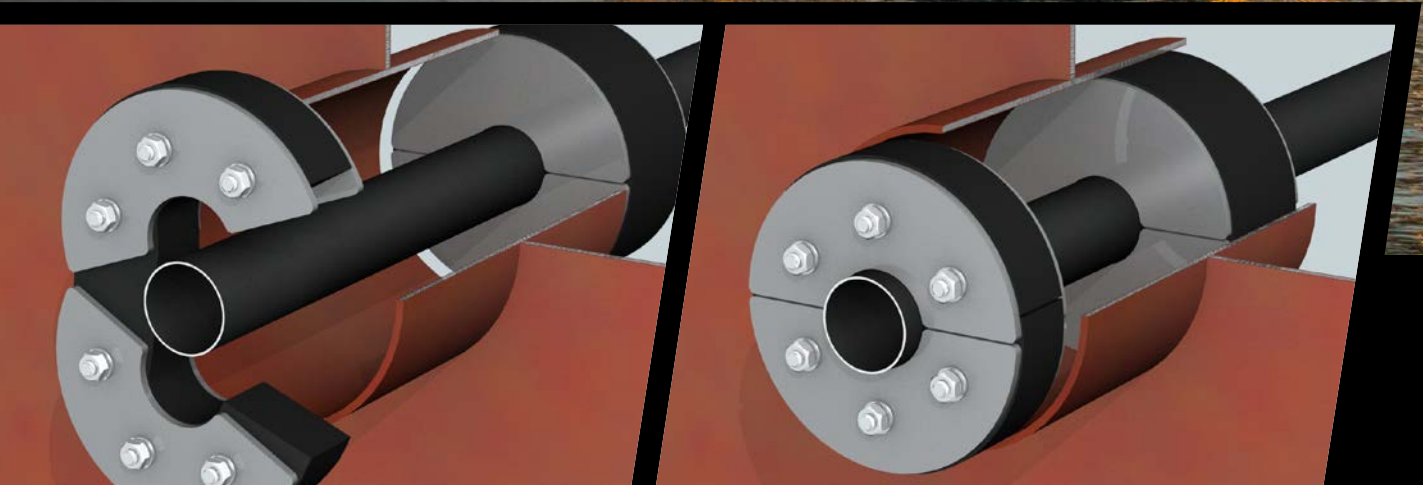


# H.P.S. Fire seal



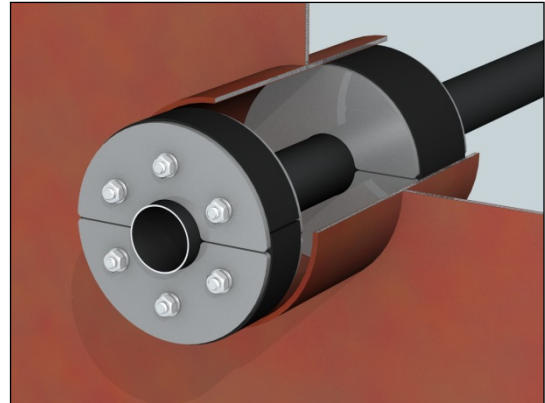
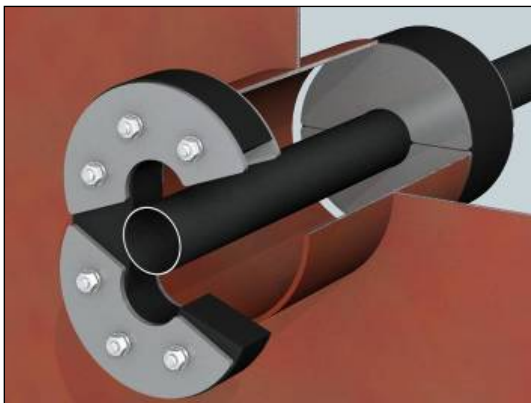
The ultimate fire resistant sealing system  
for pipe penetrations.



IMO A754(18) A0-A60

## ► Fire Seals

- Functionality for pipe penetrations
- Available in all shapes and diameters.
- All metals are made of stainless steel
- Suitable for shipbuilding and offshore industry

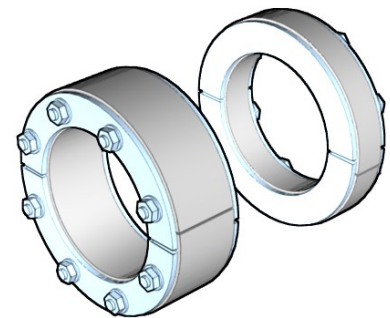


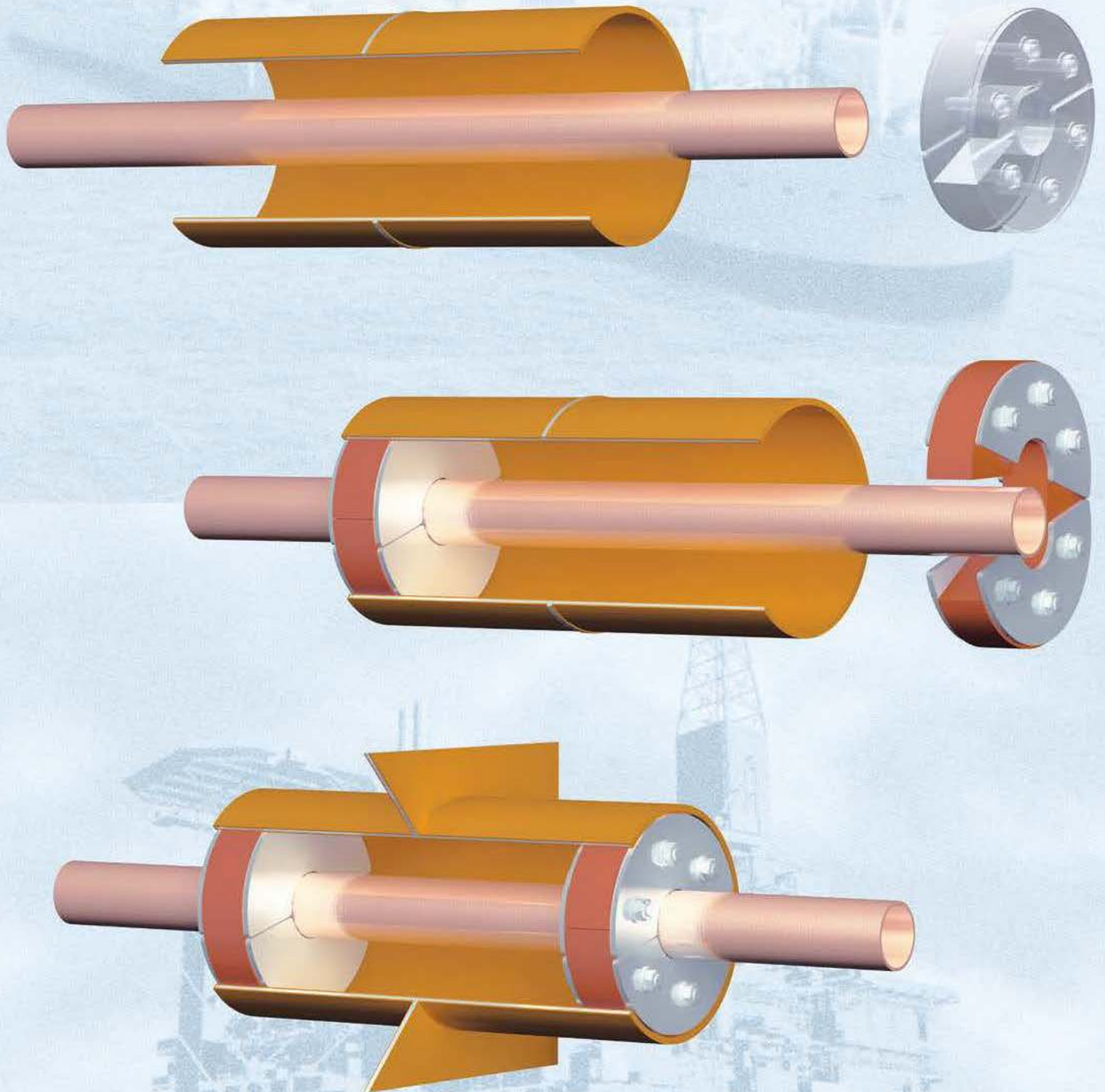
### ► Installation:

- When the fire seal is installed at the same time as the pipes, a closed version can be used.
- If the pipes are already installed, a parted version is required.

### ► Advantages:

- For pipe's or tubes in various measurements.
- Possible to install after pipes are installed.
- Gastight **4 bar** and watertight up to **6 bar** and **2.5 bar** blast-pressure.
- Sound-, isolating and shockproof.
- A bigger effectiveness by shorter assemblytime.





**CLASSIFIED for  
FIRE-RATED WATER-GAS TIGHT  
BULKHEADS and DECKS**

