

## IBMO Wrap Around

IBMO's wrap around systems have been independently tested at accredited third party test houses. For hydrocarbon fire applications, test criteria is governed by the Mobil high rise hydrocarbon fire time vs. temperature curve for periods of two hours, in accordance with the requirements of the Department of Energy, the International Conference on the Safety of Life at Sea (SOLAS), and the International Maritime Organisation (IMO). For jet fire hazard scenarios, testing is carried out in accordance with the international standard BS ISO 22899-1:2007, formerly governed by the HSE test standard OTI 95 634.

Throughout testing, IBMO's wrap around systems have maintained their integrity, stability and insulation properties and accordingly carry certification issued by either Lloyds Register of Shipping, Det Norske Veritas or the American Bureau of Shipping. In addition to fire testing, the range of penetration seal systems have been subjected to independent blast over pressure testing and have proved their ability to maintain stability and integrity in blasts of up to 1.35 bar.

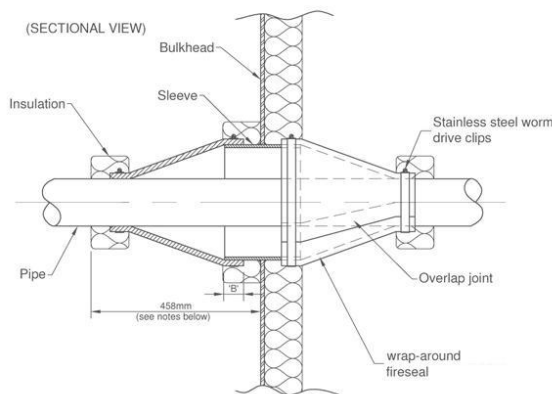


Fig. 1, Standard Pipe Penetration Wrap Around A60 – H12 Bulkhead

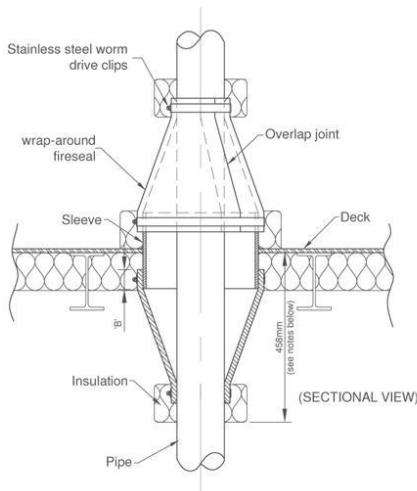


Fig. 2, Standard Pipe Penetration Wrap Around A60 – H12 Deck

## Health & Safety

Seals and enclosures, and our metallic enclosure systems are multi-component systems made up from high temperature resistant cloths, glass cloths, insulation felts and blankets, metal foils, silica-aerogel panels and high grade stainless steels. Silicate fibre products are employed which have a patented fibre formulation giving enhanced solubility characteristics in the human body. COSHH data sheets are available covering all system component parts and for the special adhesives and sealants used in site jointing of wrap around retrofit seals.

To provide protection against the harsh environmental conditions such as those experienced offshore, IBMO's rigid enclosures employ high grade 316 stainless steel and for flexible enclosures and fire seal systems, heavy weight silicone coated glass cloths are employed for the outer encapsulation components.

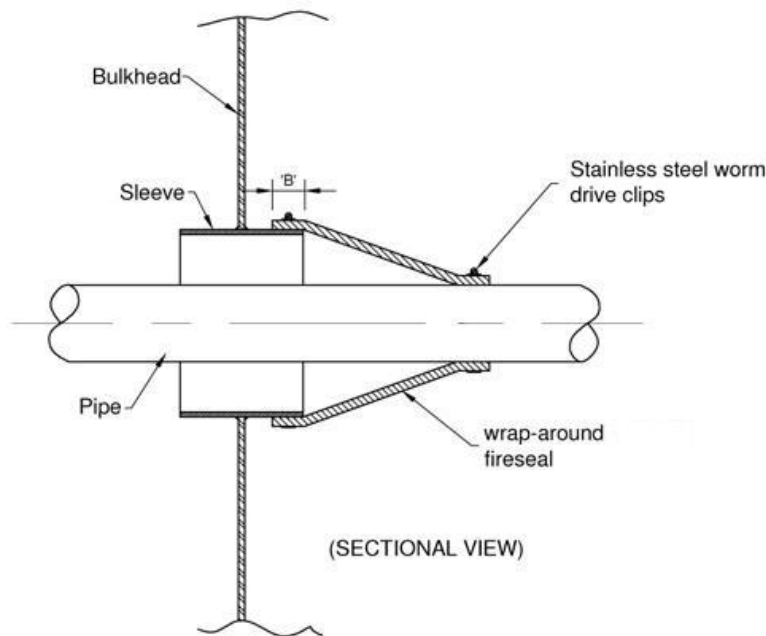


Fig. 3, Standard Pipe Penetration Wrap Around A0 & H0 Bulkhead